

SECURITY GRILLE SYSTEMS



PRODUCT LINE

UPWARD-COILING

SIDE-FOLDING FULL CLOSURE

SIDE-FOLDING OPEN AIR

MODELS

670/671/674

675/677/678/679

681/683



INDUSTRY LEADING
COMMERCIAL & INDUSTRIAL SOLUTIONS



Security grille selection

Determining whether a side-folding or upward-coiling grille is best for your project can be a matter of application, opening conditions or personal preference. Some basic design considerations are listed below. Your local Overhead Door™ Distributor is also a good resource for additional insight and information.

An upward-coiling security grille is ideally used in applications where:

- Electric operation is necessary
- Electrically-controlled emergency egress is desired
- The grille is subjected to heavy usage (an optional high usage package is available)
- In applications with no clearance on one or both sides of the opening

A side-folding security grille is often used in applications where:

- Headroom is limited
- There is limited or no clearance above the opening or on one side of the opening
- The grille must follow a radius
- The opening is extremely wide
- Electric operation or electrically-controlled emergency egress is not necessary

Cover image: Model 670, upward-coiling grille. Installation and Service: Overhead Door Company of The Meadowlands™.

Image above: Model 671, upward-coiling grille.



Our **SECURITY GRILLES**

provide an array of attractive solutions for a spectrum of retail, commercial and industrial applications. We offer a complete line of upward-coiling grilles. Constructed of aluminum, stainless or galvanized steel – with optional electric motor – these grilles are designed for durability and easy operation. Our side-folding grilles boast the shortest stacking dimension of any grille available today and feature a clear anodized finish in a variety of patterns and colors. Backed by the best service company in the industry, a market-leading warranty and over 400 Overhead Door™ Distributors nationwide – our comprehensive line of security grilles affords both reliable security and peace of mind.

Model 670, upward-coiling grille. Installation and Service: Overhead Door Company of Dallas-Commercial™

Upward-coiling security grilles – general specifications

Specifications	Model 670	Model 671	Model 674
Operation			
Manual push-up	Standard	Standard	Standard
Chain hoist	Option	Option	Option
Crank	Option	Option	Option
Electric operator	Option	Option	Option
Curtain material/finish			
Galvanized steel		Standard	
Aluminum mill finish	Standard		
Aluminum clear anodized	Option		Standard
Powder coat to match aluminum bronze anodized	Option		
Stainless steel #4		Option	
Stainless steel #2B		Option	
PowderGuard®	Option	Option	Option
Pattern			
Straight lattice	Standard	Standard	
Straight lattice with polycarbonate inserts	Option	Option	
Brick	Option	Option	
Perforated slat			Standard
Emergency Egress			
Manual release	Option	Option	
Automatic release	Option	Option	
Locking**			
Slide bolt	Standard	Standard	
Locking bottom bar w/ cylinder or thumb turn			Standard
Chain lock	Option	Option	
Security rods	Option	Option	
Interlocks	Option	Option	Option
Lock links (with automatic EEG)	Option	Option	
Hood			
Galvanized steel	Option	Option	Option
Aluminum mill finish	Option		
Aluminum clear anodized	Option		Option
Powder coat to match aluminum bronze anodized	Option		Option
Stainless steel #4	Option*	Option	
Stainless steel #2B	Option*	Option	
PowderGuard®	Option	Option	Option

* No stainless hood on clear anodized grille

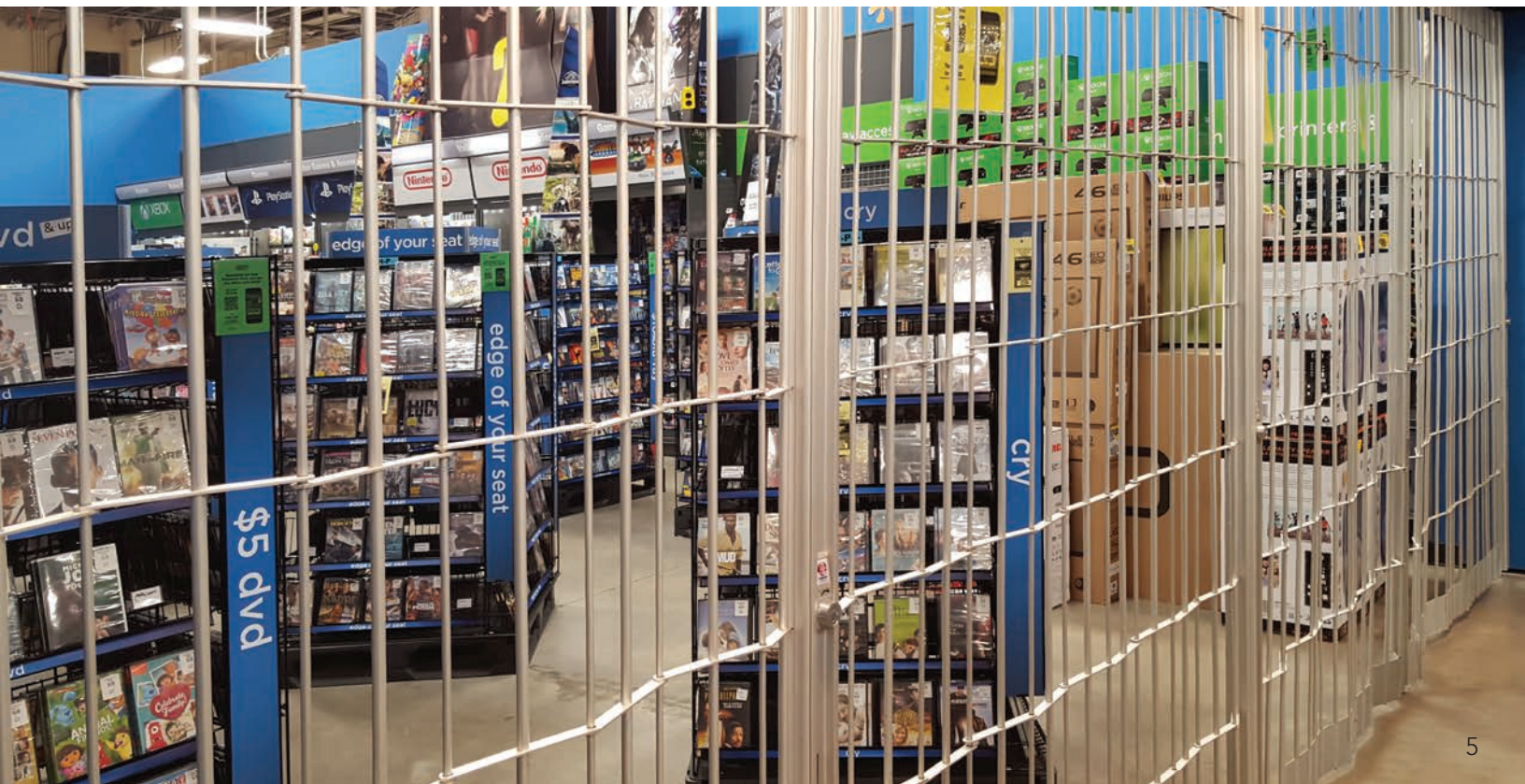
** Check with local authorities having jurisdiction regarding locking mechanisms when using emergency egress operation.



Side-folding security grilles – general specifications

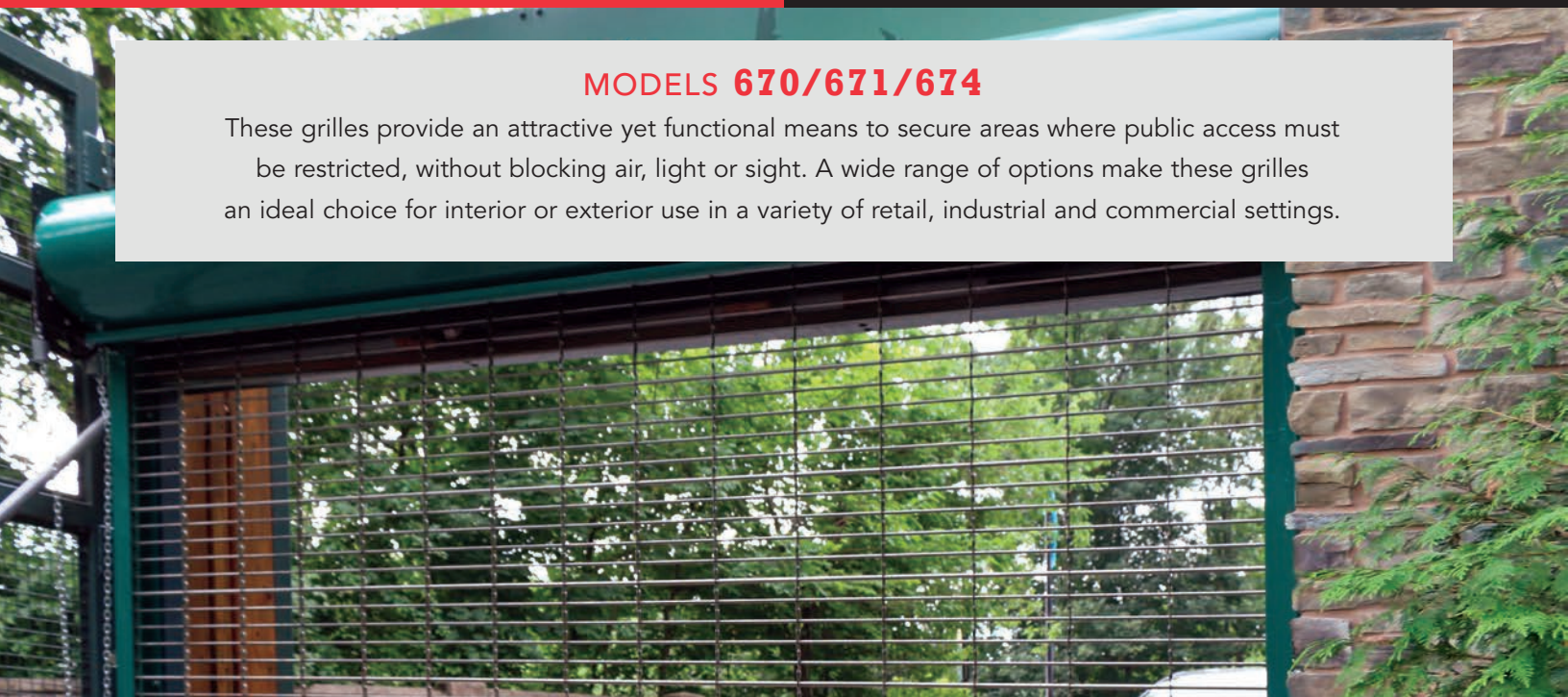
Specifications	Full-closure				Open-air	
	Model 675	Model 677	Model 678	Model 679	Model 681	Model 683
Operation	Manual	Manual	Manual	Manual	Manual	Manual
Curtain insert						
Glass			Standard			
Polycarbonate		Standard				
Aluminum				Standard	Standard	Standard
Perforated steel	Standard					
Curtain frame and panels	Aluminum	Aluminum	Aluminum	Aluminum	Aluminum	Aluminum
Frame width						
Standard body	7" (178 mm)	7" (178 mm)	7" (178 mm)	7" (178 mm)	7" (178 mm)	7" (178 mm)
Wide body	11 1/4" (286 mm)	11 1/4" (286 mm)	11 1/4" (286 mm)	11 1/4" (286 mm)	11 1/4" (286 mm)	11 1/4" (286 mm)
Track (mount)	Top	Top	Top	Top	Top	Top
Track material	HD aluminum	HD aluminum	HD aluminum	HD aluminum	HD aluminum	HD aluminum
Maximum height	12' (3658 mm)	12' (3658 mm)	12' (3658 mm)	12' (3658 mm)	12' (3658 mm)	12' (3658 mm)
Standard finish	Clear anodized	Clear anodized	Clear anodized	Clear anodized	Clear anodized	Clear anodized
Special track curves	Option	Option	Option	Option	Option	Option
Special radii	Option	Option	Option	Option	Option	Option
Exit paddles	Option	Option	Option	Option	Option	Option
Emergency Egress Door	Option	Option	Option	Option	Option	Option

Model 683, side-folding grille.



MODELS 670/671/674

These grilles provide an attractive yet functional means to secure areas where public access must be restricted, without blocking air, light or sight. A wide range of options make these grilles an ideal choice for interior or exterior use in a variety of retail, industrial and commercial settings.



Standard features at a glance

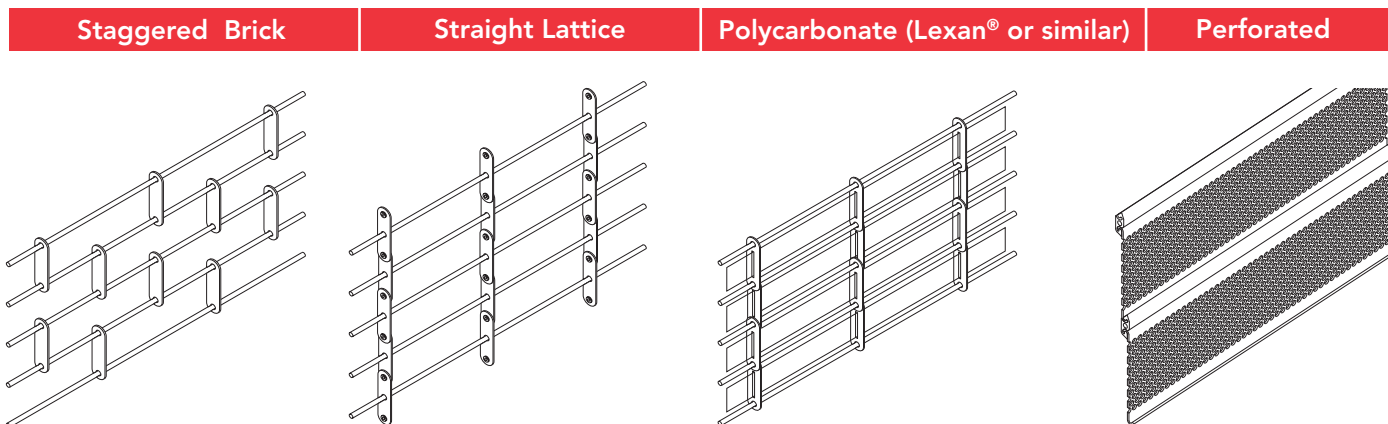
Operation	Manual unless size requires chain hoist
Curtain	
Material/Finish	670: aluminum, mill finish 671: galvanized steel or optional stainless steel (2B or 4) 674: aluminum, clear anodized
Pattern	670/671: straight lattice (standard); staggered brick; straight with polycarbonate panels 674: perforated aluminum panels
Bottom bar	670: Extruded aluminum, mill finish 671: Double angle steel 674: Extruded aluminum, clear anodized
Guide type	Guide channels are extruded aluminum with continuous wear strips; 670/671 mill finish; 674 clear anodized; Wall angles and any pack-out angles are galvanized steel
Mounting	Interior face of wall is standard Between jamb option available
Brackets	Steel with black powdercoat finish
Pipe	Steel sized for maximum deflection of .03" per linear foot
Springs	Oil tempered, 20,000 cycle, torsion springs
Locking	670/671: Slide bolt for manual and crank operation; chain lock for chain hoist operation 674: Center locking bottom bar, with 1/2" diameter steel throw rods; Comes standard with cylinder locks on both sides or thumb turn on secured side
Warranty	12 month limited

Options

- Operation :** Electric operator, chain hoist, removable awning crank or crank box
- Electric operator with automatic emergency egress (670, 671); compliant with IBC 1008.1.4.4 & NFPA 101
- Controls:** Card reader, keypad access
- Hood:** Primed galvanized or stainless steel, mill finish or clear anodized aluminum
- Fascia and back hoods:** aluminum, stainless steel
- Optional guide finishes:** clear or bronze anodized, stainless steel
- PowderGuard® premium powder coat paint finish** in approximately 200 standard colors, or color-matched to specification available on hood, curtain, bottom bar (not on 674), guides, headplates. For a smooth, durable finish consider powder coat to match aluminum clear or bronze anodized.
- PowderGuard® Zinc and PowderGuard® Textured finishes**
- Heavy usage package (670/671)**
- Locking options include cylinder locks, slide bolts (670, 671), security rods (670, 671), interlocks
- Fire retardant polycarbonate panels**



Grille patterns



Note: These products allow air infiltration and are not weather tight.

Benefits

Choice of aluminum, galvanized or stainless steel

The Model 670 features an aluminum curtain, with optional fire-retardant polycarbonate inserts.

The Model 671 is fabricated of galvanized steel. Stainless steel and fire retardant polycarbonate inserts are also options. The standard curtain pattern for both the Model 670 and 671 is a straight lattice configuration. A staggered brick design is optional.

The Model 674 features a perforated aluminum curtain that provides increased security, visibility and light infiltration in an attractive design. Ideal for interior applications, the aluminum construction of the Model 674 is lightweight - while the perforated design enhances security without hindering air infiltration and visibility.

High-performance, low maintenance

The counterbalance assembly features heavy-duty helical torsion springs in a steel tube or pipe barrel to provide long and reliable service. Guides feature silicon woolpile strips or PVC inserts for ease of operation and noise reduction. Surfaces are factory pre-finished to minimize field preparation and enhance the durability of the finish. Optional crank or electric motor further simplifies grille operation. An optional heavy usage package (670, 671) provides extended life in applications requiring higher cycles, such as parking garages and service access gates.

Optional electric operation

Available with an electric operator to provide automatic passage for a variety of commercial and industrial uses, including schools, hospitals, libraries, public access buildings and parking garages.

Our commercial operators are designed to work with these grilles to ensure precise, smooth and safe operation.

Options include:

- Entrapment protection, including monitored electric or photoelectric sensors
- Emergency egress allows for remote activation and notification of power failure
- Push-button, key or combination stations; surface or flush-mounted for interior or exterior locations
- Vehicle detectors, key card readers, door timer controls
- Treadle or pull-switch stations
- Keypad entry

Emergency egress options

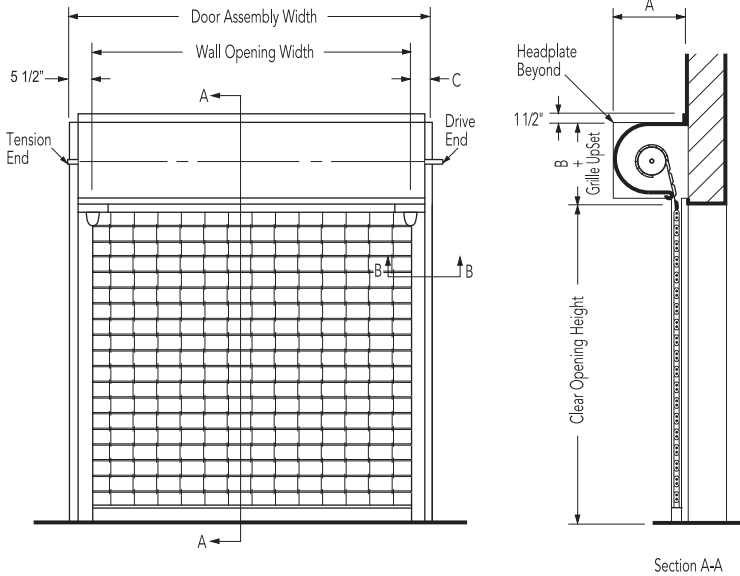
For public building applications an emergency egress may be necessary to prevent entrapment in the event of emergency or power failure. Hospitals, schools, office buildings and libraries are ideal for adding this safety option to the door system. In the event of an alarm condition or power failure, the emergency egress option allows for safe pedestrian exit. This feature avoids entrapment as well as provides immediate access to emergency personnel. We offer two ways to implement the emergency egress option. Both methods meet IBC 2018 402.8.8 Security Grilles and Doors, IBC 2018 1010.1.4.5 Security Grilles, and DASMA TDS355 Access Controlled Egress Doors standards. One option is the auto unlock and auto release option using an egress electric operator system designed specifically to work with Overhead Door™ emergency egress (670, 671). The other option is the auto unlock and manual release which can be operated with standard Overhead Door® commercial operators.

Face-of-wall mounted

Grille clearance elevation Headroom and sideroom clearance dimensions

Operation: Push-up, chain hoist, crank or electric.

For clearance details on electrically operated grilles, see motor operator details on page 18.



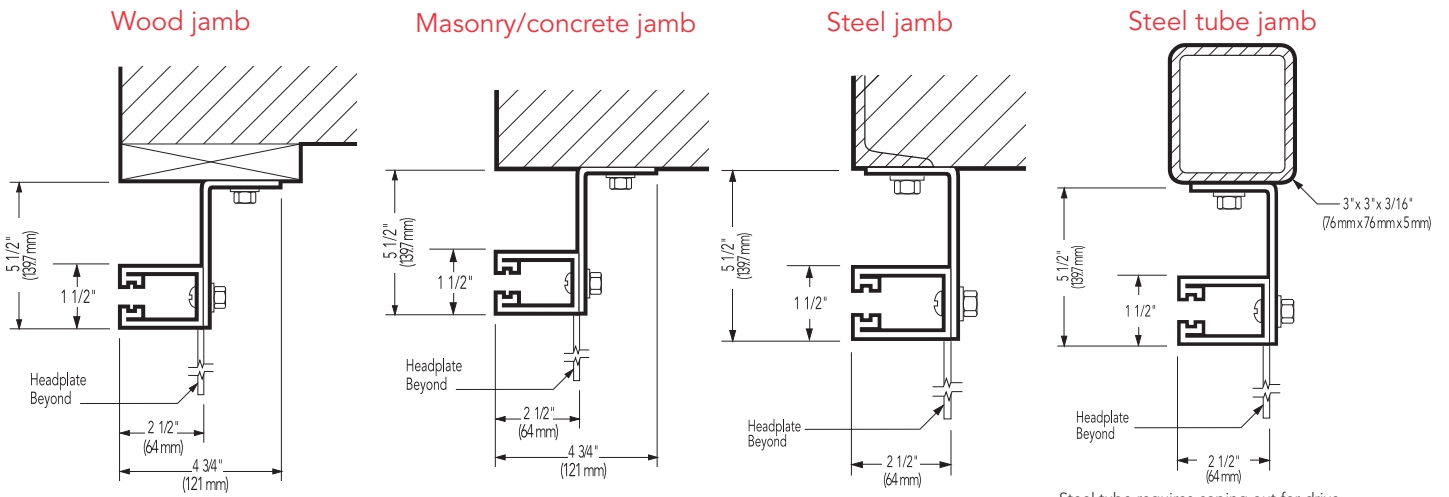
If motor operated add 2 1/4" (57 mm) to B.
If Safety Edge add 3 3/4" (95 mm) to B.

Dimensions A and B	Models 670/671	
Opening Height	A	B
Thru 6'7" (2006 mm)	15" (381 mm)	16" (406 mm)
Thru 10'10" (3302 mm)	17" (432 mm)	18" (457 mm)
Thru 15'10" (4826 mm)	19" (483 mm)	20" (508 mm)
Thru 19'6" (5944 mm)	21" (533 mm)	22" (559 mm)
Thru 22'6" (6858 mm)	23" (584 mm)	24" (610 mm)
Thru 24'0" (7315 mm)	25" (609 mm)	26" (660 mm)

Grille Upsets	Models 670/671			
	Manual w/o weather strip	Manual with weather strip	Electric w/o safety edge	Electric with safety edge
Double angle bottom bar	1 3/4" (45 mm)	2 3/4" (70 mm)	3 3/4" (95 mm)	5 1/4" (133 mm)
Tubular	2 1/2" (64 mm)	3 3/4" (95 mm)	4 3/4" (121 mm)	6 1/4" (159 mm)
Extruded "T"	1 3/4" (45 mm)	2 3/4" (70 mm)	3 3/4" (95 mm)	5 1/4" (133 mm)

Dimension C	Models 670/671	
Operation	C	Add to A
Chain STD	9 1/4" (235 mm)	
F.O.H. chain	5 1/2" (140 mm)	+10" (254 mm)
Awning crank	5 1/2" (140 mm)	+12" (305 mm)
Push-Up	5 1/2" (140 mm)	
Electric model RMX®	9 1/4" (235 mm)	
Electric model RSX®	9 1/4" (235 mm)	
Electric model RHX® (standard mounting)	6 3/4" (172 mm)	
Electric model RHX® (3" sideroom bracket mounting)	5 1/2" (140 mm)	

Face-of-wall mounted guide details (Section B-B)



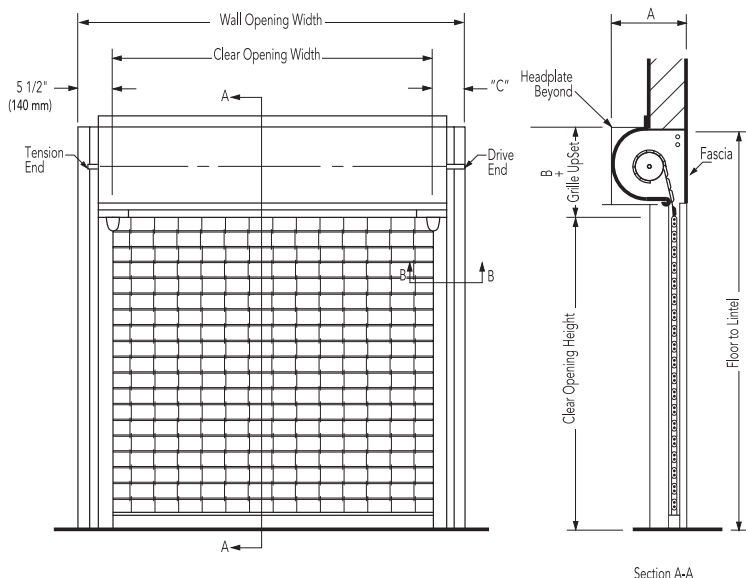


Between jambs mounted

Grille clearance elevation

Operation: Push-up, chain hoist, crank or electric.

For clearance details on electrically operated grilles, see motor operator details on page 18.



If motor operated add 2 1/4" (57 mm) to B.
If Safety Edge add 3 3/4" (95 mm) to B.

Headroom and sideroom clearance dimensions

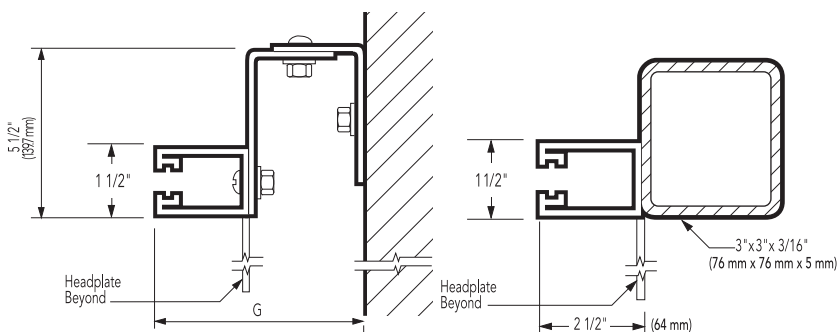
Dimensions A and B	Models 670/671	
Opening Height	A	B
Thru 6'7" (2006 mm)	15" (381 mm)	16" (406 mm)
Thru 10'10" (3302 mm)	17" (432 mm)	18" (457 mm)
Thru 15'10" (4826 mm)	19" (483 mm)	20" (508 mm)
Thru 19'6" (5944 mm)	21" (533 mm)	22" (559 mm)
Thru 22'6" (6858 mm)	23" (584 mm)	24" (610 mm)
Thru 24'0" (7315 mm)	25" (609 mm)	26" (660 mm)

Grille Upsets	Models 670/671			
	Manual w/o weather strip	Manual with weather strip	Electric w/o safety edge	Electric with safety edge
Double angle bottom bar	1 3/4" (45 mm)	2 3/4" (70 mm)	3 3/4" (95 mm)	5 1/4" (133 mm)
Tubular	2 1/2" (64 mm)	3 3/4" (95 mm)	4 3/4" (121 mm)	6 1/4" (159mm)
Extruded "T"	1 3/4" (45 mm)	2 3/4" (70 mm)	3 3/4" (95 mm)	5 1/4" (133 mm)

Dimension C	Models 670/671	
Operation	C	Add to A
Chain STD	9 1/4" (235 mm)	
F.O.H. chain	5 1/2" (140 mm)	+10" (254 mm)
Awning crank	5 1/2" (140 mm)	+12" (305 mm)
Push-Up	5 1/2" (140 mm)	
Electric model RMX®	9 1/4" (235 mm)	
Electric model RSX®	9 1/4" (235 mm)	
Electric model RHX®	5 1/2" (140 mm)	

Between jambs mounted guide details (Section B-B)

Door clearance dimensions



Steel tube requires coping out. Consult factory for dimensions.

Dimension G*	Models 670/671
Operation	G
F.O.H. chain	5 1/2" (140 mm)
Awning crank	5 1/2" (140 mm)
Push-Up	5 1/2" (140 mm)
Electric model RSX®	9 1/4" (235 mm)
Electric model RHX®	5 1/2" (140 mm)

* For max. door opening height

MODELS 675/677/678/679

Ideal for applications that require a secure barrier against theft and debris, such as retail applications in malls, airports and concourses. These models include four panel materials: painted perforated steel for full ventilation; clear polycarbonate for visual access and nonbreakable durability; tempered glass for a crystal-clear view; and full-height aluminum for maximum security.



Standard features at a glance

Operation	Manual unless size requires chain hoist
Curtain	
Frame	Truss-like aluminum top and bottom plates; 1/8" (3 mm) thick
Panel width	7" (178 mm) standard body; 11 1/4" (298 mm) wide body
Finish	Aluminum clear anodized
Track	
Trolley assembly	1 1/8" (29 mm) Vertical adjustment 1" (25 mm) up/down without curtain removal
Track detail	Top-mounted, heavy-duty aluminum sections Height: 1 5/8" (41 mm) Width: 1 3/8" (35 mm)
Curves	- 90°: Standard body: 10" (254 mm) and 14" (356 mm) radius; Wide body: 22" (559 mm) radius - 120°, 135° and 150°; Standard body: 10" (254 mm) radius
Radius	14" (356 mm) standard body; 22" (559 mm) wide body. Custom upon request
Post types	
Lead post	Hook lock and wall channel; bi-part; top and bottom shoot bolts
Intermediate post	Bottom shoot bolt
Trailing end post	Traveling; fixed; hook lock and wall jamb; top and bottom shoot bolts; carrier

Locking mechanisms	
Lead post	Concealed cylinder-operated hook lock accessible from interior and exterior
Intermediate post	Concealed cylinder-operated shoot bolt accessible from one side only
Trailing end post	Attached 10' max. (3048 mm) protection plate self-locking into a steel V-Stop
Warranty	24 month OEM limited

Options

- Custom radii and curves
- Thumb-turn guards
- Vertical adjustment upward or downward
- Emergency egress door

Note: All Post types can be used in most any position as need dictates



Grille patterns

Model 675



Curtain: 7" (178 mm) standard-width, 18-gauge painted perforated steel panels with 3/16" (5 mm) dia. holes on staggered centers that slide into aluminum hinges. Panels are framed by min. 4" (102 mm) high aluminum bottom plates and 5 1/4" (133 mm) high aluminum top plates. Visibility: 51% of 4 3/4" (121 mm) viewable area.

Model 675 wide body



Curtain: 11 1/4" (286 mm) wide-body panels, constructed of 18-gauge painted perforated steel with 3/16" (5 mm) dia. holes on staggered centers that slide into aluminum hinges. Panels are framed by min. 4" (102 mm) high aluminum bottom plates and 5 1/4" (133 mm) high aluminum top plates. Visibility: 51% of 8 7/8" (225 mm) viewable area.

Model 677



Curtain: 7" (178 mm) standard-width panels with 1/8" (3 mm) thick fire-retardant polycarbonate that fit into aluminum hinges. Panels are framed by min. 4" (102 mm) high aluminum bottom plates and 5 1/4" (133 mm) high aluminum top plates. Visibility: 100% of 4 3/4" (121 mm) viewable area*.

Model 677 wide body



Curtain: 11 1/4" (286 mm) wide-body panels with 1/8" (3 mm) thick fire-retardant polycarbonate that fit into aluminum hinges. Panels are framed by min. 4" (102 mm) high aluminum bottom plates and 5 1/4" (133 mm) high aluminum top plates. Visibility: 100% of 8 7/8" (225 mm) viewable area*.

Model 678



Curtain: 7" (178 mm) standard-width panels with 1/8" (3 mm) thick tempered glass that fit into aluminum hinges. Panels are framed by min. 4" (102 mm) high aluminum bottom plates and 5 1/4" (133 mm) high aluminum top plates. Visibility: 100% of 4 3/4" (121 mm) viewable area*.

Model 678 wide body



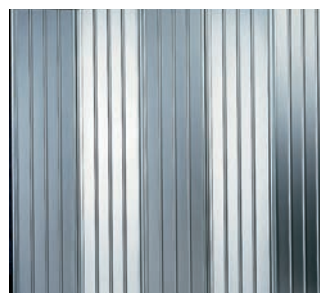
Curtain: 11 1/4" (286 mm) wide-body panels, with 1/8" (3 mm) thick tempered glass that fit into aluminum hinges and are framed by min. 4" (102 mm) high aluminum bottom plates and 5 1/4" (133 mm) high aluminum top plates. Visibility: 100% of 8 7/8" (225 mm) viewable area*.

Model 679



Curtain: 7" (178 mm) standard-width panels constructed of full-height, solid aluminum that slide into aluminum hinges. Panels are framed by alternately positioned 5 1/4" (133 mm) high aluminum top plates. Visibility: 0%

Model 679 wide body



Curtain: 11 1/4" (286 mm) wide-body panels constructed of full-height, solid aluminum that slides into aluminum hinges. Panels are framed by alternately positioned 5 1/4" (133 mm) high aluminum top plates. Visibility: 0%

* 1" Plate separator panels on full height closures over 6' in height

MODELS 681/683

For applications when security is a priority, but you want to maximize air circulation, light infiltration and visual access to interior spaces. These grilles secure premises and guard against theft and debris with superior compactness and nearly endless design possibilities.



Standard features at a glance

Operation	Manual unless size requires chain hoist
Curtain	
Frame	Truss-like aluminum top and bottom plates; 1/8" (3 mm) thick
Panel width	7" (178 mm) standard body; 11 1/4" (286 mm) wide body
Finish	Aluminum clear anodized
Track	
Trolley assembly	1 1/8" (29 mm) Height: 1 5/8" (41 mm) Width: 1 3/8" (35 mm)
Track detail	Top-mounted, heavy-duty aluminum sections Height: 1 5/8" (41 mm) Width: 1 3/8" (35 mm)
Curves	- 90°: Standard body: 10" (254 mm) and 14" (356 mm) radius; Wide body: 22" (559 mm) radius 120°, 135° and 150°; Standard body: 10" (254 mm) radius
Radius	14" (356 mm) standard body 22" (559 mm) wide body. Custom upon request.
Post types	
Lead post	Hook lock and wall channel; bi-part; top and bottom shoot bolts
Intermediate post	Bottom shoot bolt
Trailing end post	Traveling; fixed; hook lock and wall jamb; top and bottom shoot bolts; carrier

Locking mechanisms	
Lead post	Concealed cylinder-operated hook lock accessible from interior and exterior
Intermediate post	Concealed cylinder-operated shoot bolt accessible from one side only
Trailing end post	Attached 10' max. (3048 mm) protection plate self-locking into a steel V-Stop
Security/Safety options	Thumb-turn guards and protection bars.
Warranty	24 month OEM limited

Options

Thumb-turn guards and protection bars
Anodized finish
Vertical adjustment upward or downward
Emergency egress door

Note: All Post types can be used in most any position as need dictates



Grille patterns

Model 681 wide body

Straight pattern



- Space between tubes 1 7/8" (47.6 mm)
- Full panel width 11 1/4" (286 mm)
- Top plate 5 1/4" (133 mm); 11 gauge
- Top spacer tube size varies from curtain pattern to accommodate specific height.
- Spacer plate 1" (25.4 mm); 11 gauge
- Spacer tube 1/2" (12.7 mm) x 12" (305 mm)
- Bottom plate 4" (102 mm); 11 gauge
- 10 1/2" (267 mm) On Center
- Hinge 1 1/2" (38.1 mm)

Brick pattern



- Space between tubes 1 7/8" (47.6 mm)
- Full panel width 11 1/4" (286 mm)
- Top plate 5 1/4" (133 mm); 11 gauge
- Top spacer tube size varies from curtain pattern to accommodate specific height.
- Spacer plate 1" (25.4 mm); 11 gauge
- Spacer tube 1/2" (12.7 mm) x 12" (305 mm)
- Bottom plate 4" (102 mm); 11 gauge
- 10 1/2" (267 mm) On Center
- Hinge 1 1/2" (38.1 mm)

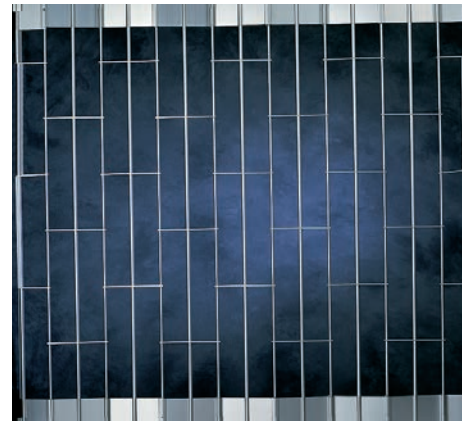
Model 683 standard body

Straight pattern



- Space between tubes 2 1/2" (63.5 mm)
- Full panel width 6 5/16" (160 mm)
- Top plate 5 1/4" (133 mm); 13 gauge
- Top spacer tube size varies from curtain pattern to accommodate specific height.
- Aluminum rod 5/16" (3.17 mm)
- Aluminum link 1/8" x 5/8" X 6 11/16" (3.17 x 15.9 x 170 mm)
- Spacer tube 1/2" x 12" (12.7 x 305 mm)
- Bottom plate 5 1/4" (133 mm); 13 gauge
- 6" (152 mm) On Center

Brick pattern



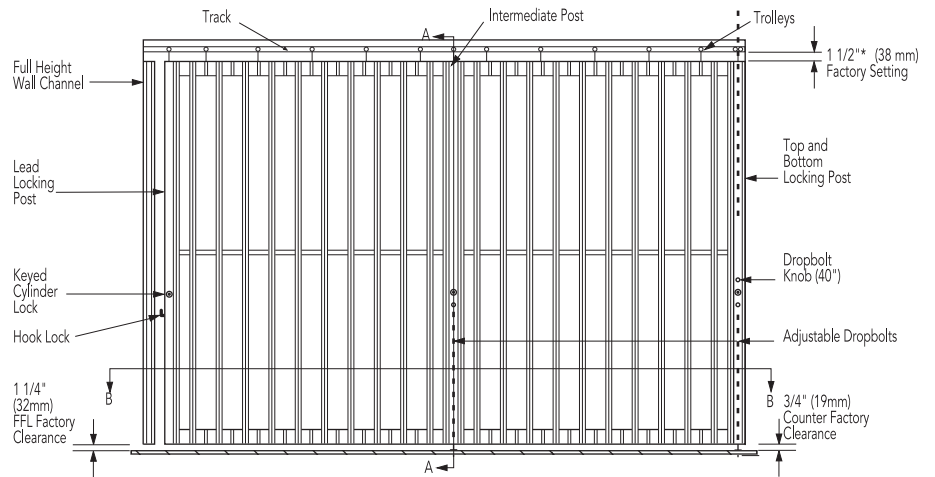
- Space between tubes 2 1/2" (63.5 mm)
- Full panel width 6 5/16" (160 mm)
- Top plate 5 1/4" (133 mm); 13 gauge
- Top spacer tube size varies from curtain pattern to accommodate specific height.
- Aluminum rod 5/16" (3.17 mm)
- Aluminum link 1/8" x 5/8" X 6 11/16" (3.17 x 15.9 x 170 mm)
- Spacer tube 1/2" x 12" (12.7 x 305 mm)
- Bottom plate 5 1/4" (133 mm); 13 gauge
- 6" (152 mm) On Center

Grille clearance elevation

Note:

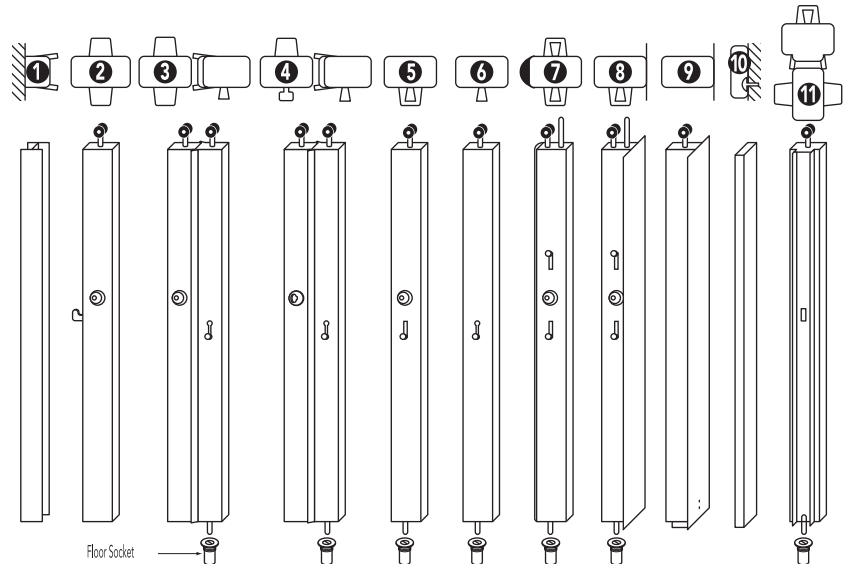
Curtain height is adjustable to a maximum of 1" (25 mm) upward, and 1" (25 mm) downward to compensate for unexpected field conditions.

*This will vary top clearance from curtain to track from 1/2" (13 mm) to 2 1/2" (63 mm)

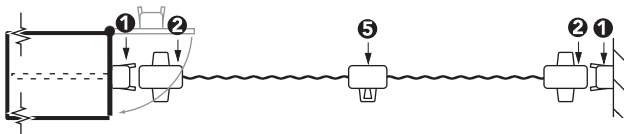


Side-folding grilles post descriptions

- 1 Wall channel
- 2 Lead post – with cylinders interior/ exterior engaging hook bolt lock
- 3 Bi-part – with cylinders interior/exterior and interior drop bolt
- 4 Bi-part – with cylinder exterior and interior thumb turn and drop bolt
- 5 Intermediate post – with interior cylinder lock and drop bolt
- 6 Intermediate post – with interior drop bolt
- 7 Top and bottom post – with interior/ exterior cylinder lock and rubber bumper
- 8 Top and bottom post – with cylinder lock and protection plate
- 9 Traveling end post – with protection plate, post self locks into floor "V" stop
- 10 Fixed end post
- 11 90° bi-part – with interior/exterior cylinders and exterior drop bolt

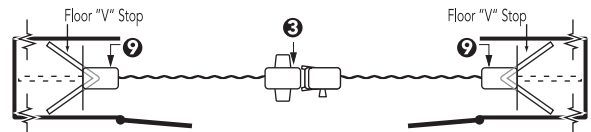


Single stack into pocket with wall channel or pocket



In this configuration, the traveling end post becomes a secured, keyed locking post and avoids drilling for floor socket needed by #7 post.

Bi-part, pocket both sides



Commonly used to break up large curtains or to provide a balanced look.

Stack between jambs



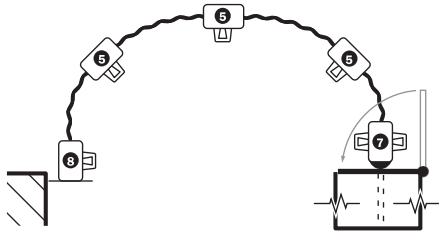
For use where there is no pocket availability.

Note: Use of #7 posts for the lead or end are a viable alternative



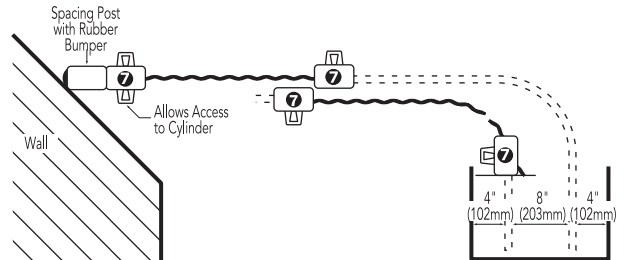
Side-folding grilles typical layouts

Special radius curve



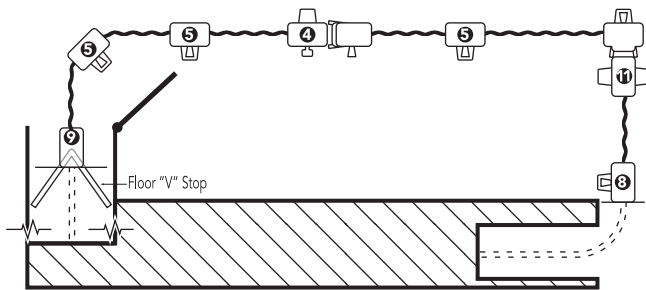
Enables the curtain to follow any lease line and adds a dramatic look to the entrance.

Dual track



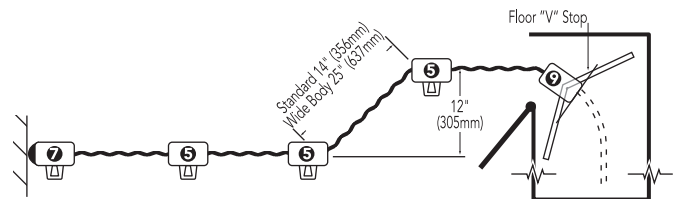
For use when minimal pocket depth is available. A top and bottom lead post with attached spacing post to an angled wall allows access to locking on the acute angle side.

90° curve with bi-part single stack into pocket



Bi-parting curtains are recommended for curtains 30' or more for ease of use.

S curve (2 135° curves) with single stack into 90° pocket

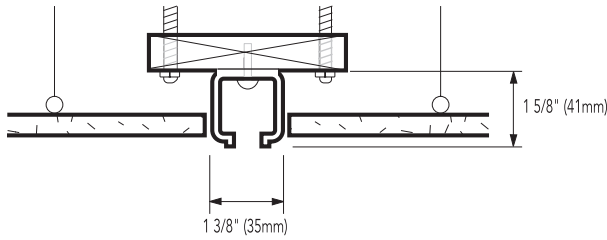


S-curves enable the curtain to avoid obstruction and provide added visual interest.

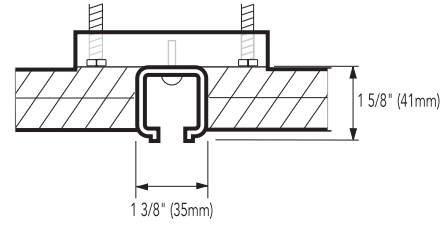
Note:
On all layout drawings, top is exterior, bottom is interior of opening.

Side-folding grilles track details

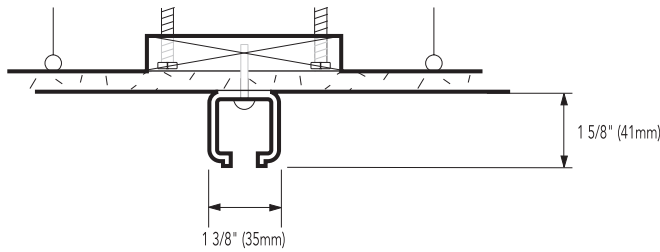
Drop ceiling recessed track



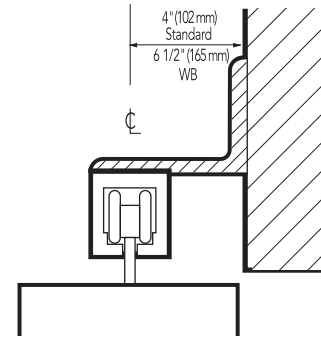
Drywall ceiling recessed track



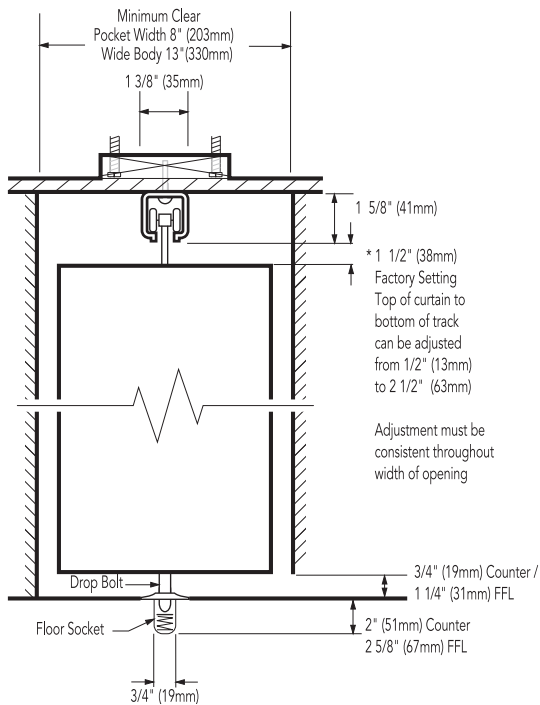
Drop ceiling surface track



Face-of-wall mount



Optional curtain height adjustment



Note:

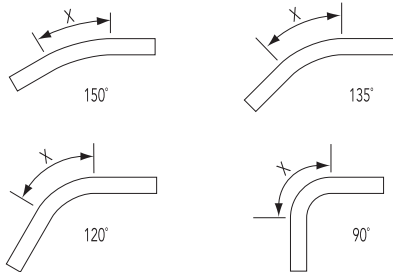
Load requirements are 3 lbs. per square foot (1.66 Kg per square meter) and 200 lbs. per linear foot (91 Kg per linear meter) stacked. Threaded rod 1/2" (13 mm) with 2" (51 mm) x 6" (152 mm) wood stud shown. Other acceptable mounts include 2" (51 mm) x 4" (102 mm) steel or wood stud. A column is not required for support. Header and supporting structure by others.

*Curtain height is adjustable up to 1" (25 mm) up or down without removal. (Optional)



Side-folding grilles pocket details

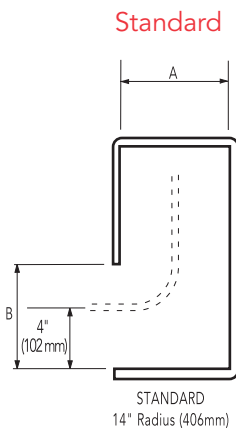
Curve details



Dimensions X		
Radius	Curve	X
10" (254 mm)	90°	16" (406 mm)
	120°	10 1/2" (267 mm)
	135°	7 15/16" (202 mm)
	150°	5 1/4" (133 mm)
14" (356 mm)	90°	22" (559 mm)
22" (559 mm)	90°	34 1/2" (876 mm)

Note: Special radius curves are available only with a template supplied. Curves cannot be smaller than 90°. Double 3/4" (19 mm) plywood eliminates problem blocking of curved layouts. Wide body models must use standard 22" radius on 90° curves. Larger special curves are also acceptable.

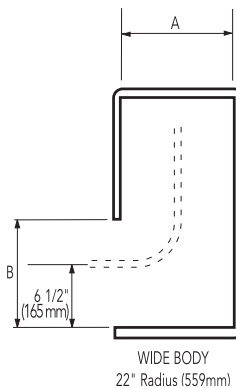
Right angle pocket specifications



1 3/16" (30 mm) per linear foot plus 3" (76 mm) for each posts.
Min. clear pocket width 8" (203 mm).

Dimensions A and B	Standard
A pocket width	B pocket door width
8" (203 mm)	18" (457 mm)
9" (229 mm)	13 5/8" (346 mm)
10" (254 mm)	12" (305 mm)
11" (279 mm)	10 7/8" (276mm)
12" (305 mm)	10" (254 mm)
13" (330 mm)	9 5/16" (237 mm)
14" (356 mm)	8 13/16" (224 mm)
15" (381 mm)	8 7/16" (214 mm)
16" (406 mm)	8 3/16" (208 mm)

Wide body



3/4" (19 mm) per linear foot plus 3" (76 mm) for each posts.
Min. clear pocket width 13" (330 mm).

Dimensions A and B	Wide body
A pocket width	B pocket door width
13" (330 mm)	26" (660 mm)
14" (356 mm)	20" (508 mm)
16 1/2" (419 mm)	17" (432 mm)
20" (508 mm)	14" (356 mm)
26" (660 mm)	13" (330 mm)

Add 3" (76 mm) per stack per locking post. Add 8" (203 mm) to stack per Emergency Egress Grille. Add 6" (152 mm) each for bi-part.
Note: The maximum space between locking posts is 10' (3,048 mm) for full height grilles, 6' (1,829 mm) on standard counter height and at center of every curve.

For more detailed information, visit our Architects Corner at overheaddoor.com/architect-corner

Electric operators

We offer a broad line of electric operators to suit new construction and retrofit applications, as well as unusual or special requirements. In order to improve safety and enhance door and motor life, industry quality assurance guidelines recommend the choice of a single manufacturer for both door and operator applications.

We are one of the only national manufacturers to offer a full line of commercial and industrial doors and operators specifically designed for integral applications.

Model RHX®

Model RHX® is a heavy duty commercial operator designed to operate grilles up to 24' (7315 mm) in height and 3696 pounds (1676 kg).

Model RSX®

Model RSX® is a standard duty commercial operator designed to operate grilles up to 24' (7315 mm) in height and 1620 pounds (735 kg). It offers unique features like LimitLock®, SuperBelt™ and 16 digit menu setup.

Model RMX®

Model RMX® is our most advanced medium-duty operator. It is designed for quicker installation and hassle-free operation and operates doors up to 14' (4267 mm) in height and 620 pounds (282 kg).

Model CDX®

Model CDX® is a gear-reduced commercial operator with a 1/2 HP motor. It may be used for grilles up to 140 sq. ft. (13006 sq.mm). Mounting is front-of-hood only.



Operator control options

- Entrapment protection: monitored electric sensing edge or photoelectric sensors
- Ground-level chain hoists for emergency or hand operation standard on Model RMX®
- Push-button, key or combination stations; surface-or flush-mounted for interior and/or exterior locations
- Vehicle detectors, photocell and door timer controls
- Treadle or pull switch stations
- Wireless keypad entry
- Universal programmable door timer

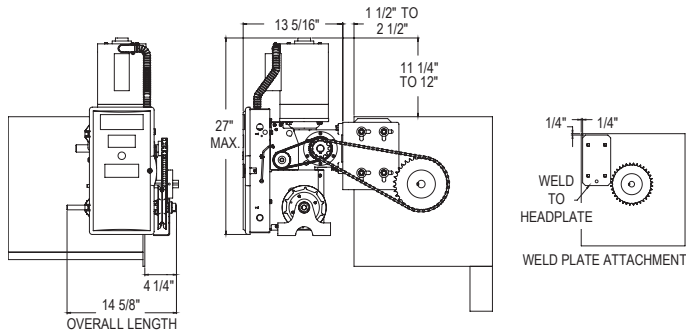
Safety and entrapment recommendations

We strongly recommend the use of interlock switches, an electrically-controlled emergency egress option, and a monitored electric safety edge for all electrically operated upward coiling grilles. If a sensing edge or other reversing device is not installed, a constant-contact control switch will be used to close the grille. We recommend a self-monitoring, four-wire, fail-safe electric sensing edge.

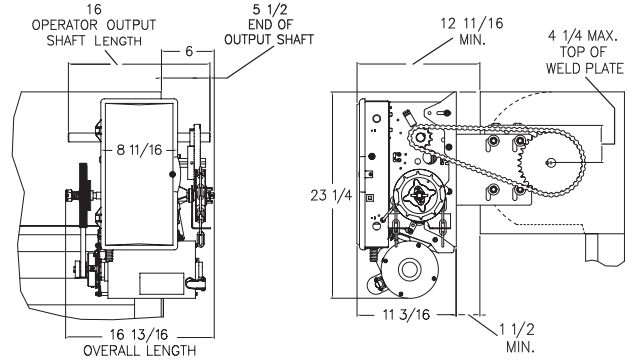


Mounting details

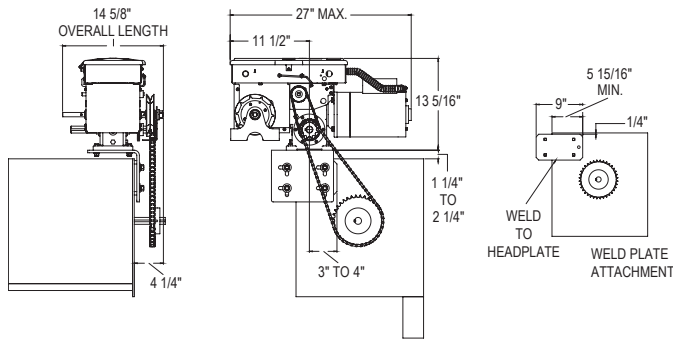
Front-of-hood mounted -RHX®



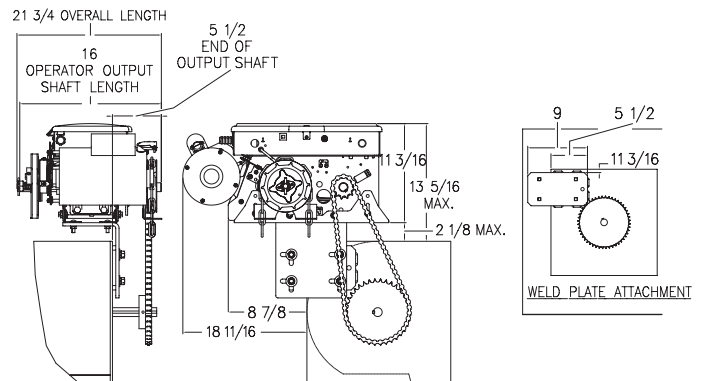
Front-of-hood-RSX®



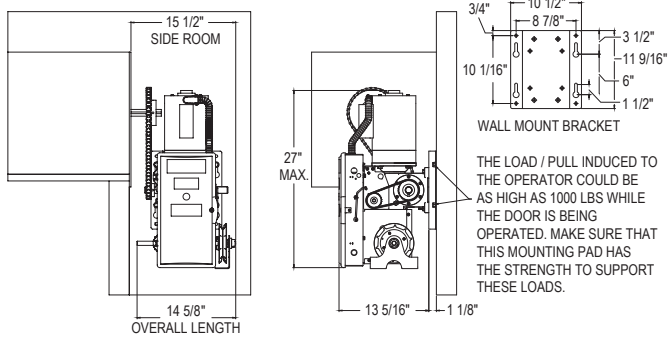
Top-of-hood mounted -RHX®



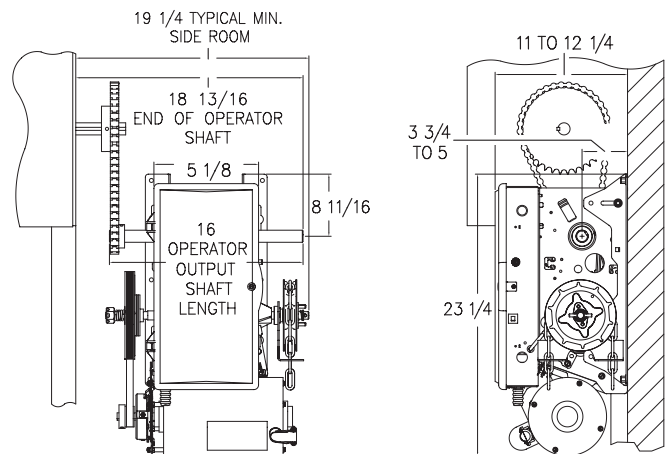
Top-of-hood-RSX®



Wall mounted (below shaft)-RHX®



Wall mount-RSX®



Note: For "A" and "G" dimensions, refer to Headroom and Guide Clearance. Dimension charts applicable to grille type selected.
 * Front-of-Hood mounted also available on between jambs mounted grilles.

For more detailed information, visit our Architects Corner at overhaddoor.com/architect-corner or consult your local Overhead Door™ Distributor.



Model 674, upward-coiling grille, perforated.



Architect's Corner

A resource for architects, containing comprehensive technical and resource materials to support your project, including drawings and specifications for commercial doors.

www.overheaddoor.com

The original, innovative choice for unequalled quality and service.

Overhead Door Corporation pioneered the sectional garage door industry, inventing the first sectional garage door in 1921 and the first electric door operator in 1926. Today, we continue to be the industry leader through the strength of our product innovation, superior craftsmanship and outstanding customer support, underscoring a legacy of quality, expertise and integrity. That's why design and construction professionals specify Overhead Door™ products more often than any other brand. Our family of over 400 Overhead Door™ Distributors across the U.S. and Canada not only share our name and logo, but also our commitment to excellence.



INDUSTRY LEADING
COMMERCIAL & INDUSTRIAL SOLUTIONS



2501 S. State Hwy. 121 Bus., Suite 200, Lewisville, TX 75067
1-800-929-DOOR • sales@overheaddoor.com
overheaddoor.com